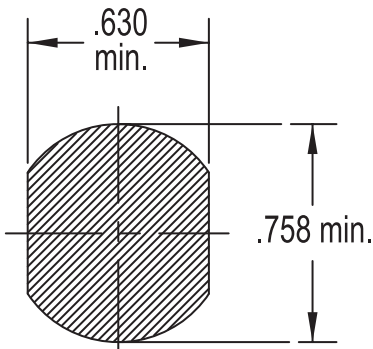
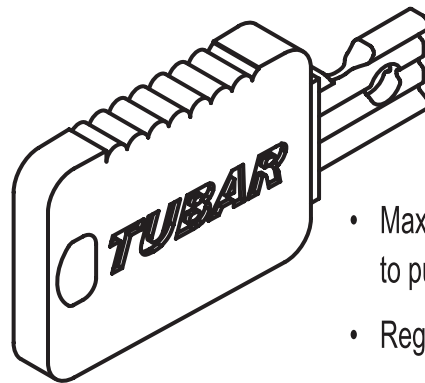
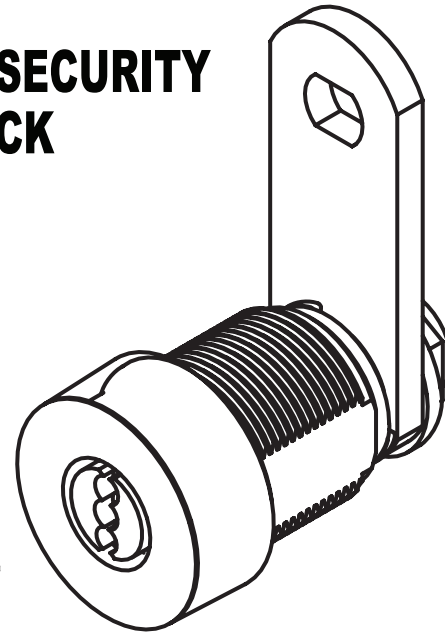


## TUBAR CA-12L HIGH SECURITY CAM TYPE LOCK



Recommended  
mounting hole



- Maximum protection against forced entry. Virtually impregnable to pulling, punching, drilling and other common physical attacks.
- Registered key series for each customer.
- Unique key with no key blanks or key machines commercially available.
- Additional CA-12L cam type lock features:
  - New, compact 11/16" size ideal for limited installation space.
  - Hardened steel rotating bezel that resists physical attacks.
  - Patented keyway for maximum key control.
  - Improved hardened steel barrel and composite keyway.
  - Assures maximum protection from vandal attacks.
  - New user-friendly key design will accommodate all TuBAR cylinders in the field.
  - Cams and keys sold separately. Factory re-keyable.
  - Patented dual side bar mechanism provides the ultimate in resistance to surreptitious entry.

