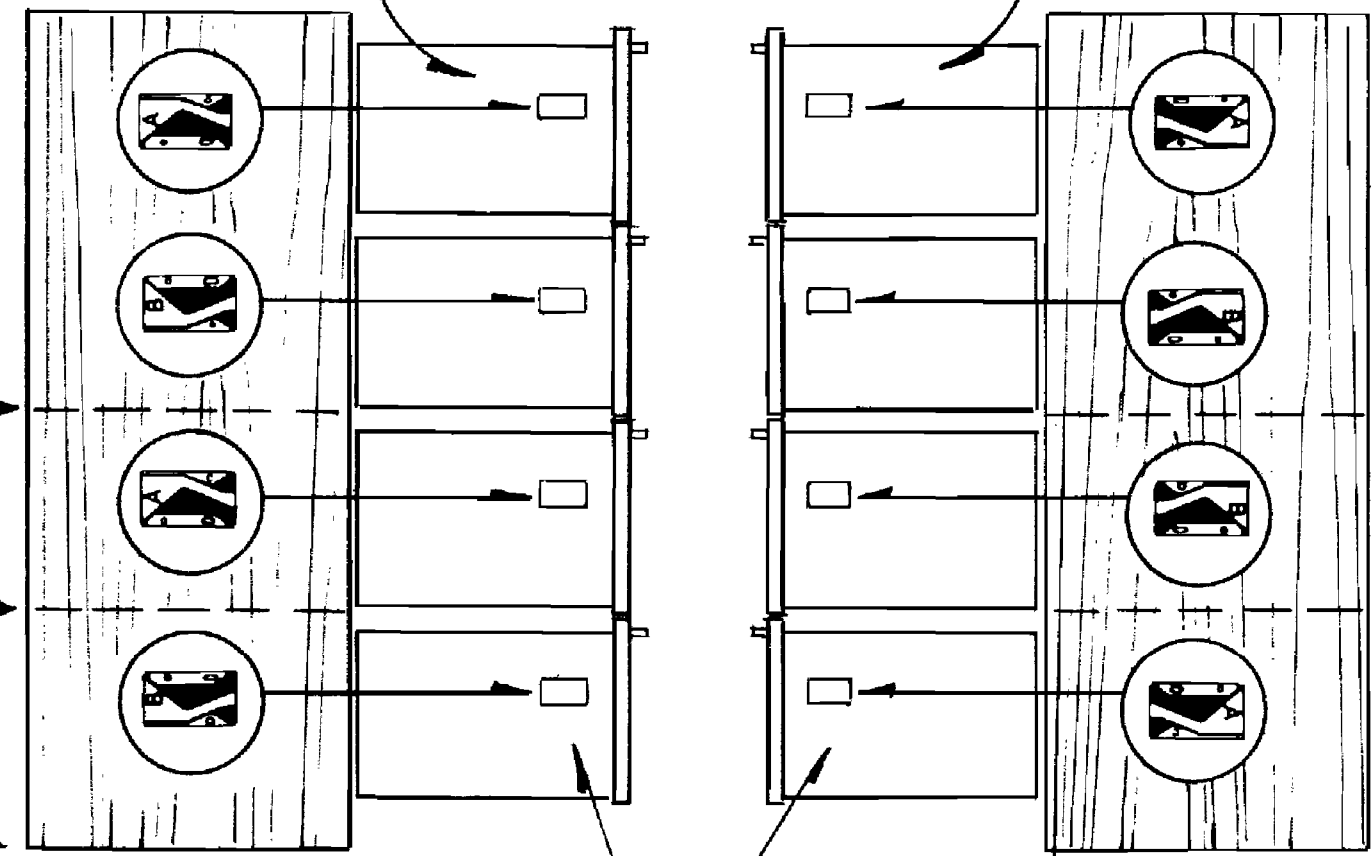
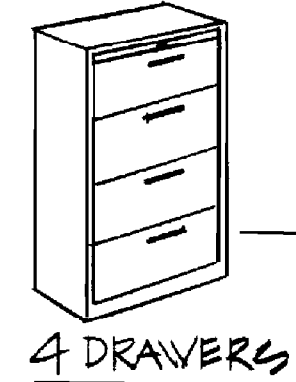
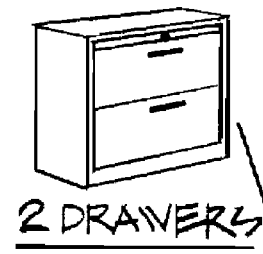


"LEFT" DRAWER SIDES "RIGHT" DRAWER SIDES



VD-20B-TYPE "B" WEDGE

VD-20A-TYPE "A" WEDGE

NOTE: FOLLOW PATTERN OF WEDGE ("A" & "B") PLACEMENT ON DRAWERS.

**STEP #1**  
ATTACH WEDGES TO DRAWER SIDES AS SHOWN. LOCKBAR SHOULD NOT HAVE ANY PINS IN PLACE.

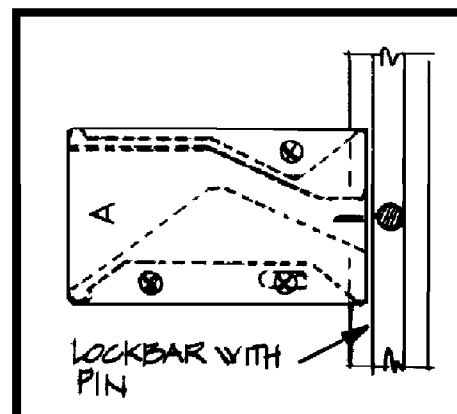
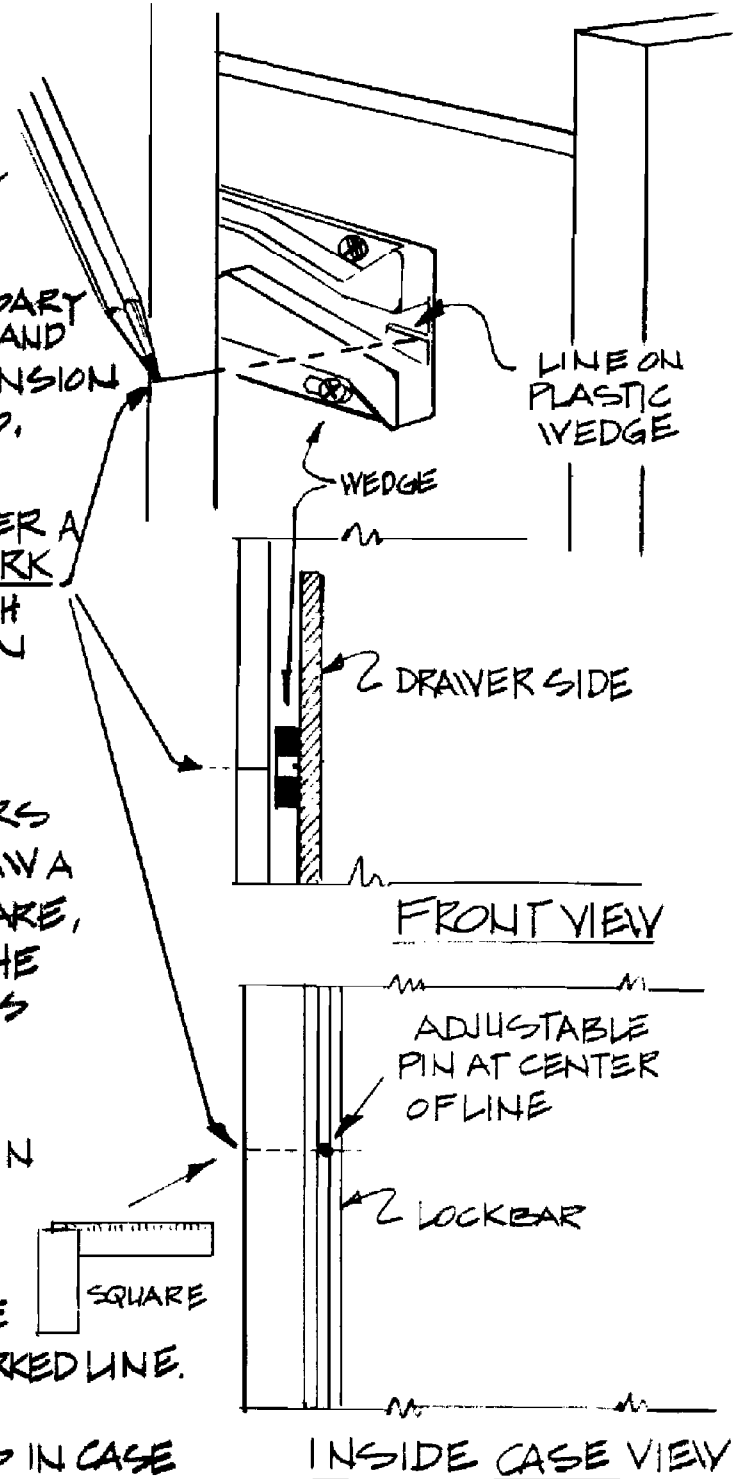
**STEP #2**  
PERFORM ALL NECESSARY FITTING OF DRAWERS AND INSTALL ALL SUSPENSION MOUNTING SCREWS.

**STEP #3**  
PULL OUT EACH DRAWER A FEW INCHES, AND MARK THE CENTER OF EACH WEDGE OPENING ON THE CASE SIDE

**STEP #4**  
REMOVE ALL DRAWERS FROM CASE AND DRAW A LINE, USING A SQUARE, FROM THE MARK ON THE CASE SIDE ACROSS THE LOCKBARS

**STEP #5**  
WITH THE LOCKBARS IN THE MIDDLE (OPEN) POSITION, MOUNT AN ADJUSTABLE PIN ON THE LOCKBARS IN THE CENTER OF EACH MARKED LINE.

**STEP #6**  
REINSTALL DRAWERS IN CASE



**WEDGE INSTALLATION AND ALIGNMENT**

DRAWINGS NOT TO SCALE  
DRAWER SUSPENSIONS NOT SHOWN

1-800-LOCKBAR/www.tlock.us  
715 Center St., Grayslake, IL 60030  
Copyright 2007 © CompX Security Products

