

## C9100 Mail box lock

- 5 pin tumbler
- 90° clockwise
- dustshutter

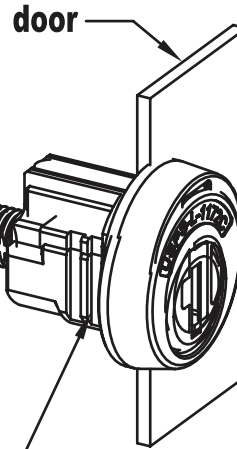
**Spring mounting clip**  
- clip may be reversed  
for cam clearance



**Hex nut**  
- nut is out of round by design  
to meet strength requirements  
of USPS L-1172, small socket  
and immobilization of cam  
critical for install. Nut will feel  
cross-threaded, but it is not.



**To assemble this lock,**  
use cam from replacement  
unit here

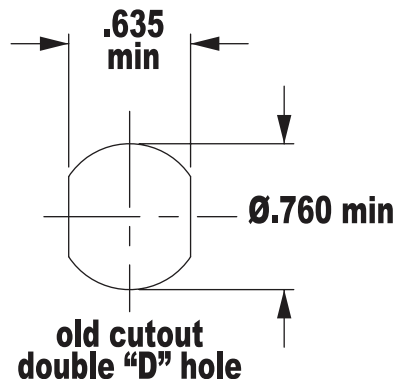
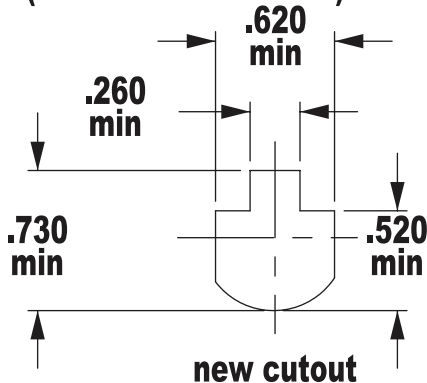


**optional slot**  
for thicker doors

**Note: key may not remove  
properly if cam is not attached.**

### Cylinder mounting hole dimensions

(C9100 works in both)



**This lock meets USPS  
specification #L-1172 and  
drawing #1003833 for NDCBU  
and CBU applications.**

**If needed, USPS approved  
stainless steel cams are  
available from your distributor.**

**Spacers and adhesive washer  
to convert double "D" to new  
cutout are available from your  
distributor.**