

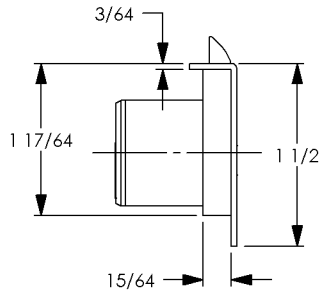
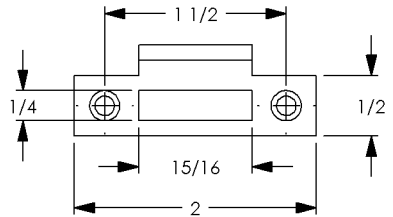
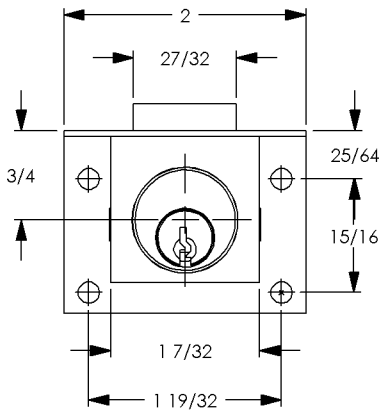
STOCK LOCKS®

Manufactured by

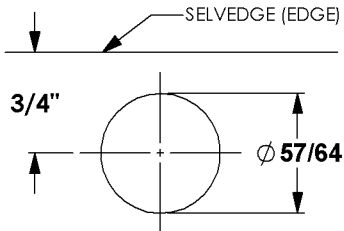
NATIONAL 
CABINET LOCK®

C8131 SPRING BOLT DRAWER LOCK

- 4 PIN TUMBLER
- 7/8" CYLINDER LENGTH



CYLINDER MOUNTING HOLE



DRILL 1/16 INCH DIAMETER PILOT
HOLES FOR MOUNTING SCREWS

