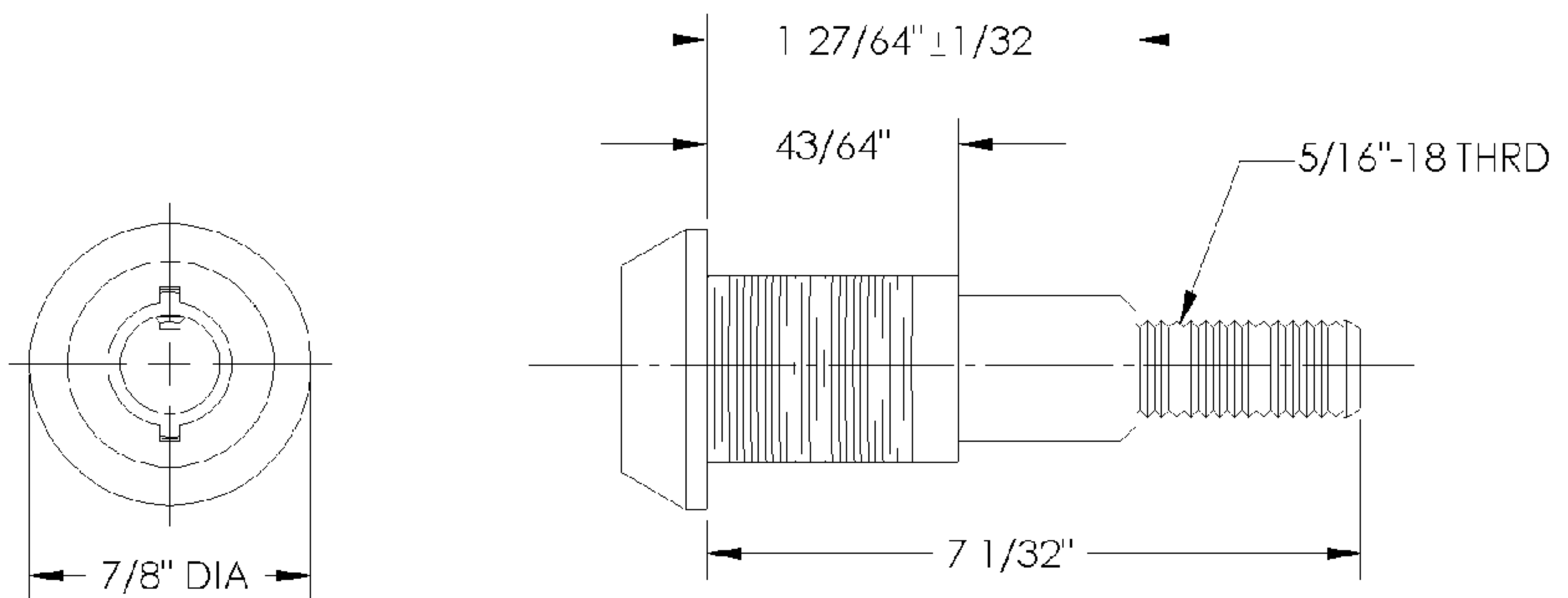
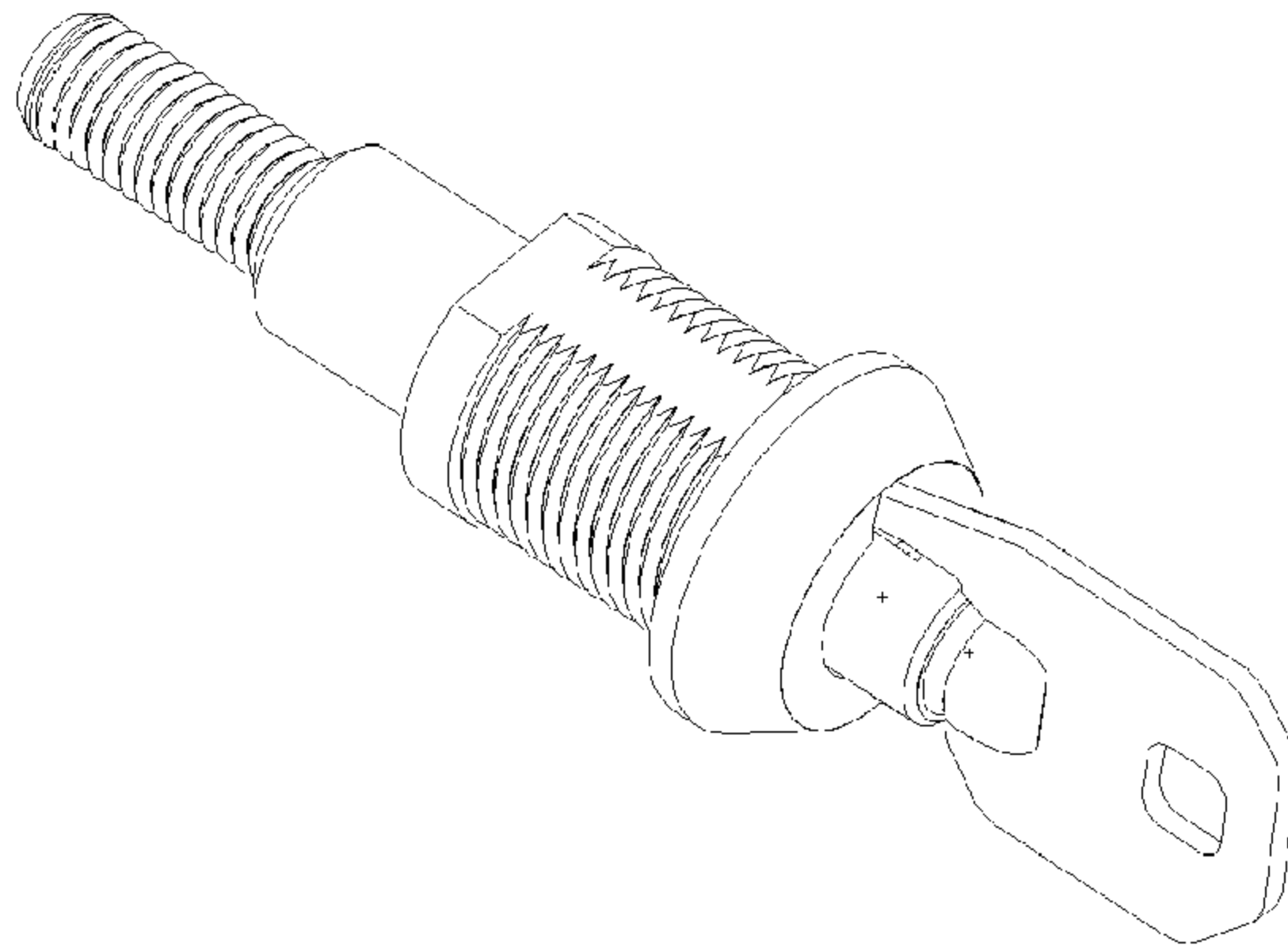


CSA4107 ACE II SCREW LOCK



- PATENTED ACE II LOCK ASSEMBLY IN 3/4" DIAMETER.
- BARREL WITH TWO FLATS 5/8" ACROSS.
- 360° KEY ROTATION WITH KEYPULL EVERY 180° (12 & 6 O'CLOCK)
- TWO KEYS FURNISHED PER LOCK.
- ADDITIONAL STUD LENGTHS AVAILABLE TO SPECIAL ORDER.