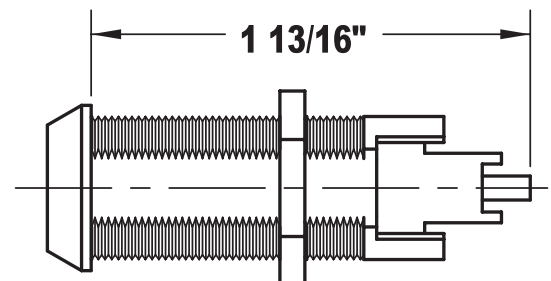
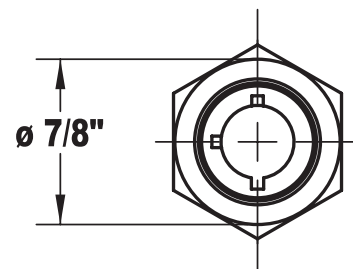
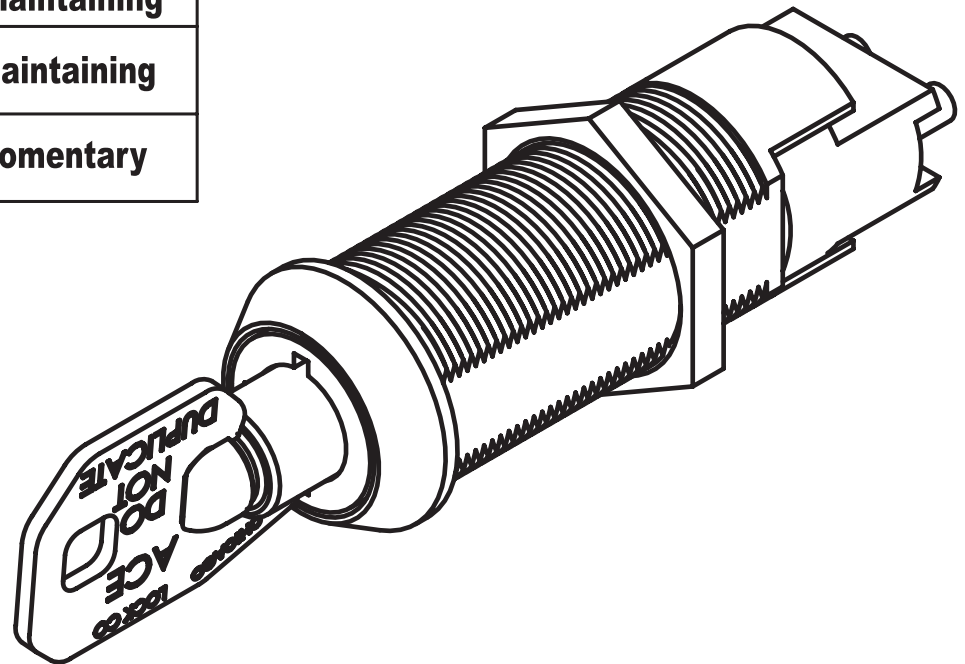
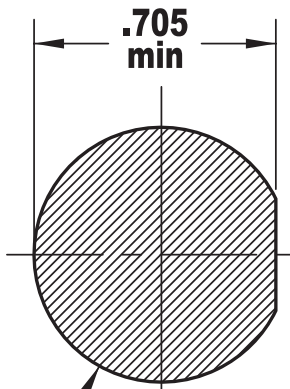


C4073 SWITCH LOCK

lock no.	keypull	contact
C4073-1DC	off only	maintaining
C4073-2DC	off & on	maintaining
C4073-70DC	off only	momentary

mounting hole
recommended



- maintaining contacts switch operated by manually rotating inserted key 90° clockwise from open to closed position
- momentary contact switch locks feature spring return from closed to open position after 90° clockwise key rotation to closed position
- contact configuration: spst
- 7 amps @ 28 vac/vdc
- electrical life: 6.000 cycles @ max. load
- contact resistance: 50 milli ohms initial maximum
- standard finish-bright chrome
- two keys are furnished per lock