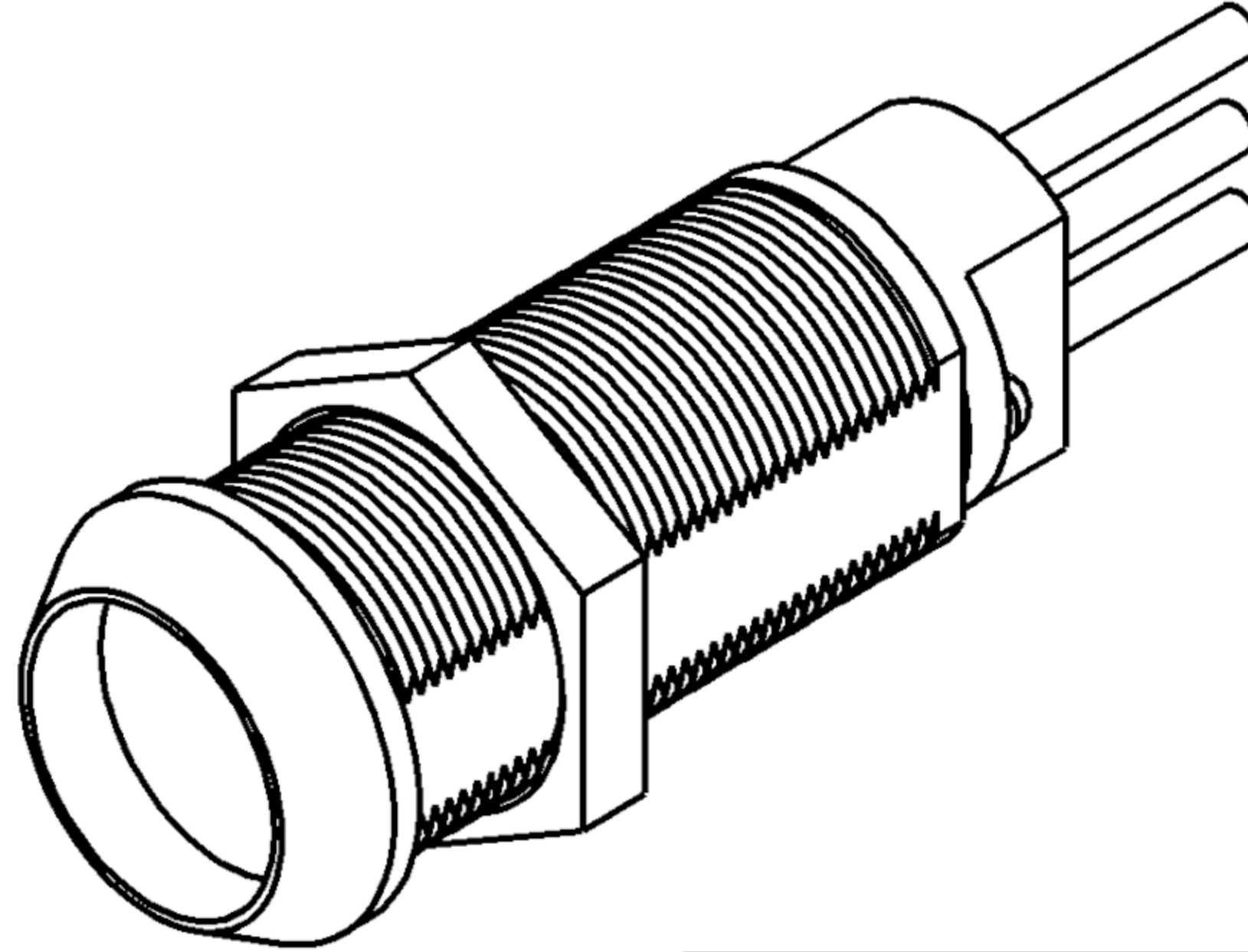
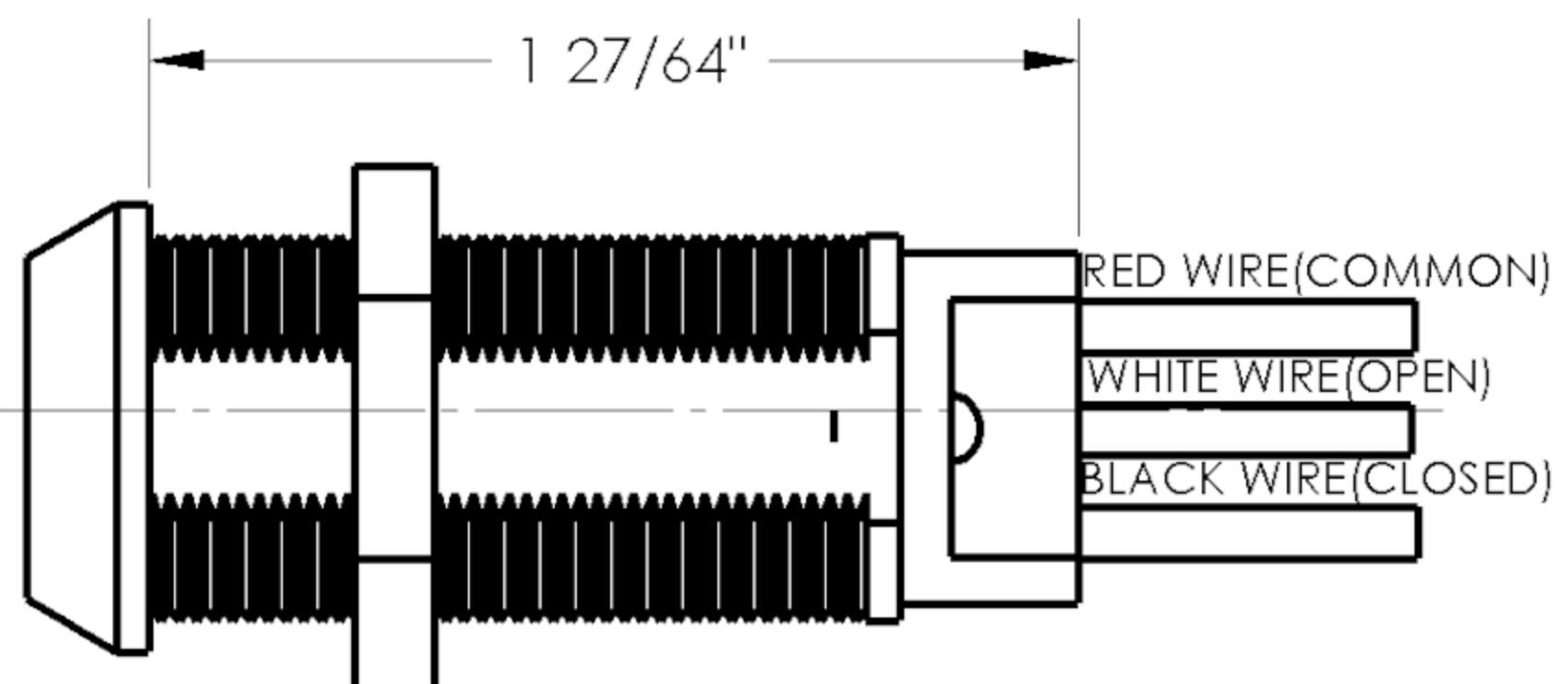
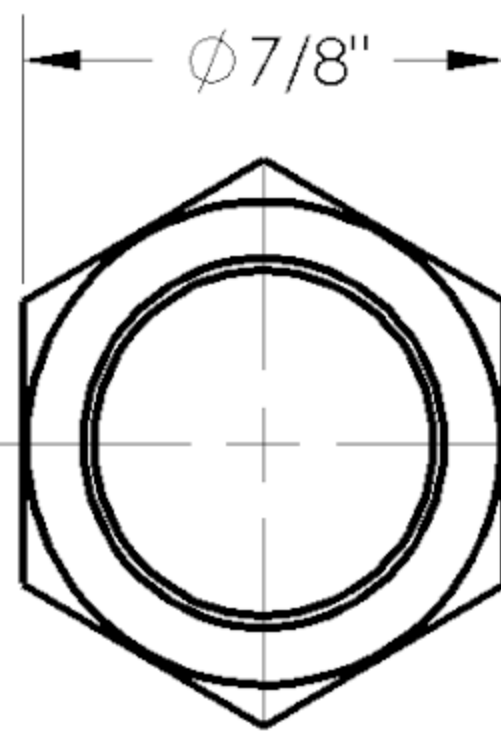


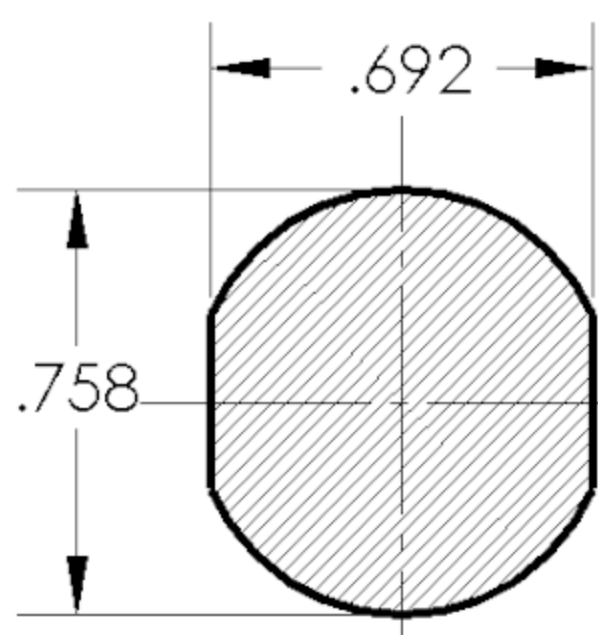
C3535-BDC-KD SWITCH LOCK



LOCK NO.	KEYPULL	ROTATION
C3535-BDC	1 POSITION	165°



RECOMMENDED MOUNTING HOLE



.7 AMPS RESISTIVE/4 AMPS INDUCTIVE@ 115 VAC OR 28 VDC.

-RELIABLE SNAP ACTION SWITCH PROVIDES MANY THOUSANDS OF ELECTRICAL CONTACTS WITHOUT FAILURE.

-TERMINALS DESIGNED TO ACCEPT "AMP" .058 PIN RECEPTACLES.

-STANDARD FINISH-BRIGHT CHROME.

- FURNISHED WITH 10 INCH, 20 GAGE STRANDED WIRE.

-TWO KEYS FURNISHED LOCK.