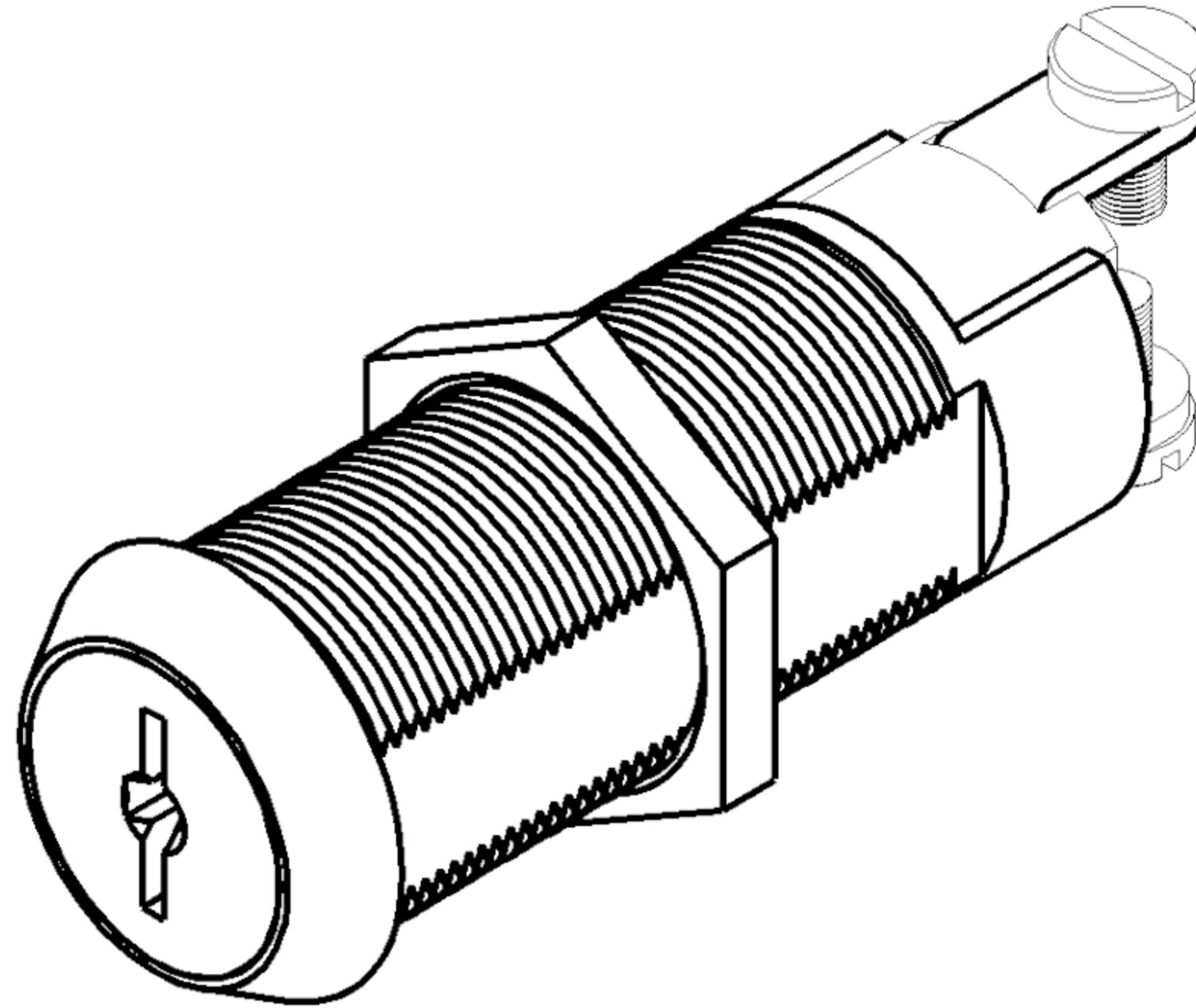
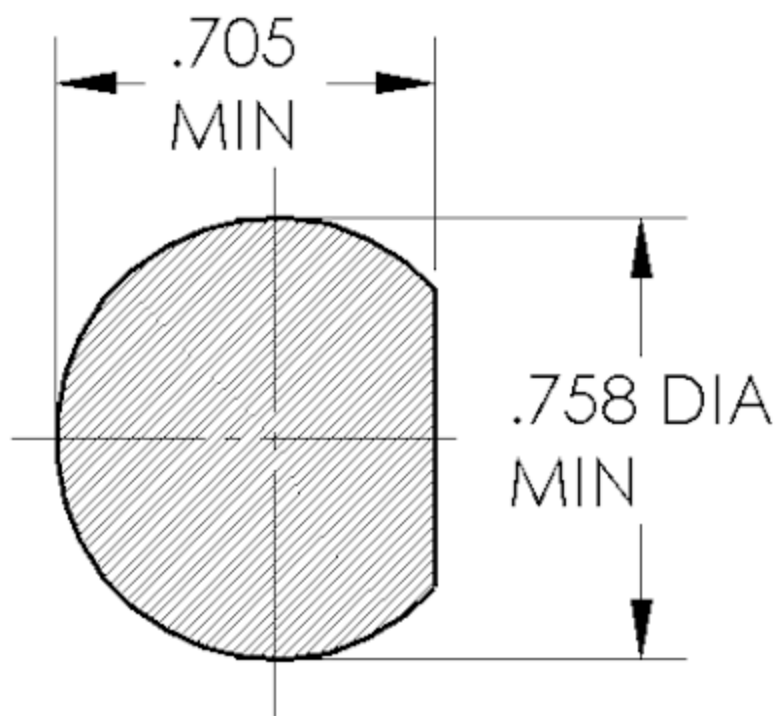
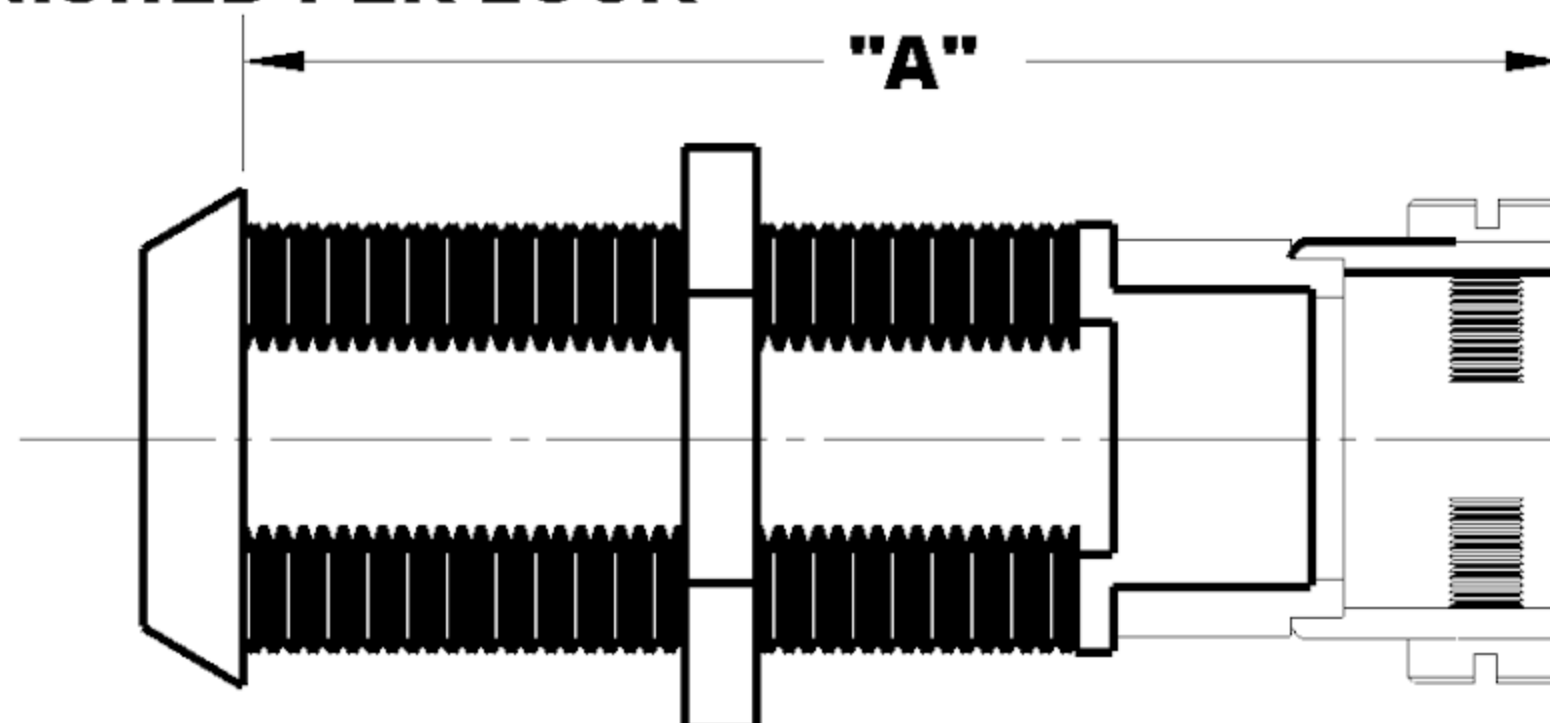
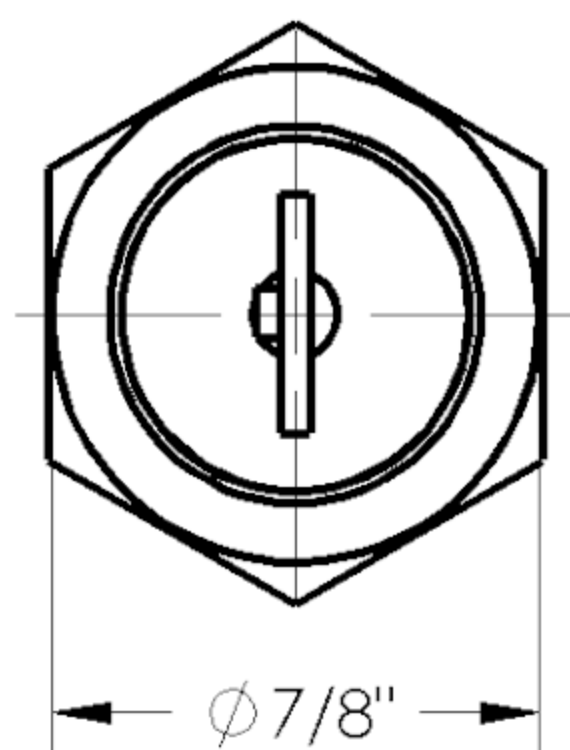


C2174-2DC-KD SINGLE POLE LOCK

RECOMMENDED MTG HOLE



- LOCK OPERATION SAME AS 4073
- CONTACT CONFIGURATION: SPST
- 7 AMP (RESISTIVE) @ 125 VOLTS A.C.
- 7 AMP @ 28 VOLTS DC
- ELECTRICAL LIFE: 6,000 CYCLES MAX. LOAD
- CONTACT RESISTANCE: 50 MILLI OHMS INITIAL MAX
- REQUEST STANDARD ESP-EL 1000 FOR COMPLETE DETAILS
- STANDARD FINISH-BRIGHT CHROME
- TWO KEYS FURNISHED PER LOCK



LOCK NO.	KEY PULL	CONTACT	DIM "A"
C2174-1DC	OFF ONLY	MAINTAINING	1 9/16"
C2174-2DC	OFF & ON	MAINTAINING	1 9/16"
C2174-70DC	OFF ONLY	MOMENTORY	1 13/16"