

ecoForce – RECESSED mount

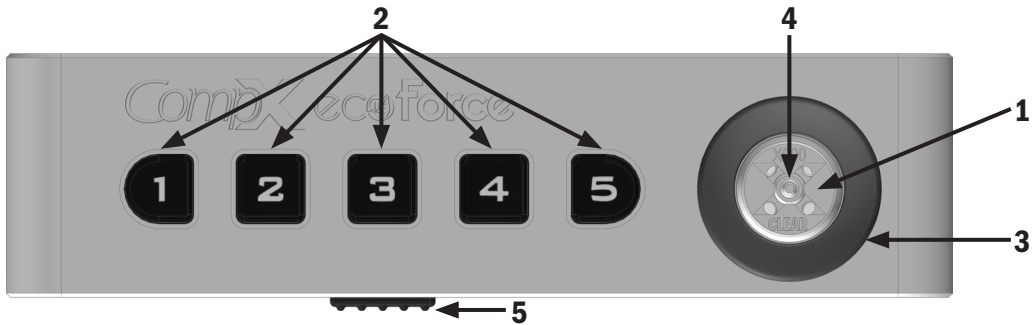
No-battery push button cabinet lock



Thank you for purchasing the **ecoForce** no-battery push button cabinet lock – **recessed mount version** – manufactured by CompX. This instruction sheet explains how to **operate** the lock, **install** the lock and **change the combination** from the standard factory combination

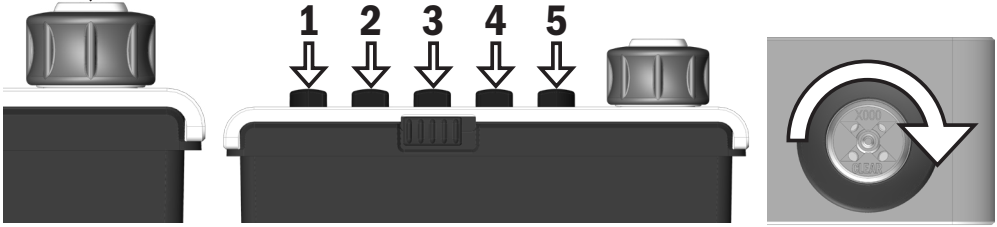
1-2-3-4-5. The buttons give a clear indication when properly pressed. Each button can only be used once in the combination. You can use any of the buttons in any order and you can press two or more buttons at the same time as one step in your combination.

ecoForce features



- 1. Clear Button
- 2. Combination Buttons
- 3. Knob
- 4. Key Override (some models)
- 5. Programming Slide

To operate:



FACTORY DEFAULT COMBINATION is 1-2-3-4-5

- 1. Press Clear Button down completely
- 2. Press Combination Buttons down in order and one-at-a-time
- 3. Rotate Knob 90° clockwise to unlock
- 4. Return Knob 90° counter-clockwise to lock

MODELS WITH KEY OVERRIDE

- 1. Insert key completely
- 2. Rotate key 90° clockwise to unlock
- 3. Return Knob 90° counter-clockwise to re-lock

To change or to set the combination:

To Change the Combination:

- 1. Press Clear Button down completely
- 2. Press current Combination Buttons down in order and one-at-a-time
- 3. Slide Programming Slide towards the knob
- 4. Press Clear Button down completely to clear current combination
- 5. Enter new combination in steps by pressing buttons in the order you choose; you can use any of the buttons in any order and you can press two or more buttons at the same

time as one step in your combination. To set code 1-2&3-4, you would press 1, then simultaneously press 2 & 3, then press 4.

A user code can be as short as one digit or up to five digits. You may press each button only once, and you may press all five buttons simultaneously if so desired. If you make a mistake or enter an incorrect code, press the clear button and start over.

- 6. Rotate Knob 90° clockwise to set combination
- 7. Return Knob 90° counter-clockwise to re-lock

Discover a lost or forgotten combination by following the instructions at compxecoforce.com

ecoForce – RECESSED mount

No-battery push button cabinet lock



To install:

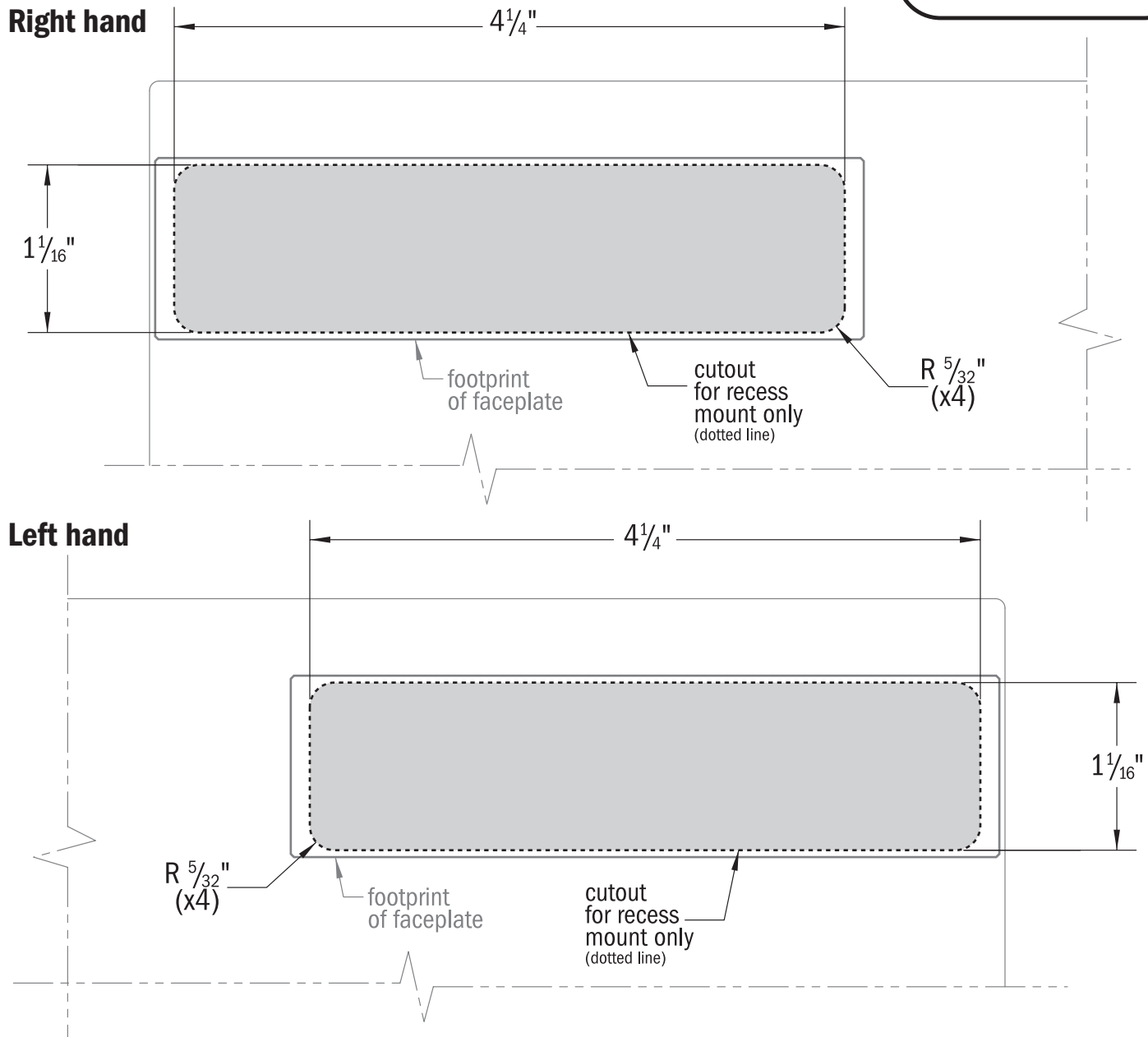
To **recessed mount install** the lock, use the **ecoForce** mounting templates on the following pages. **ecoForce** manual or self-locking can be configured to meet dozens of latching points (see ecoForce latching point sheet: compX.com/downloads).

For surface mounting instructions, see compXecoForce.com

Examine the door for mounting. If the hinges are on the right side of the door use a Right Hand template, and if the hinges are on the left side of the door use a Left Hand template. Place the template on the door considering your pre-determined latching points before drilling.

1"
WARNING: Print this page and measure the line above. It is **ONE INCH LONG**. If it measures less than or more than one inch, the template measurements also need to be scaled accordingly.
FAILURE TO DO SO COULD RESULT IN MISDRILLED HOLES.

Installation templates – horizontal right hand & horizontal left hand

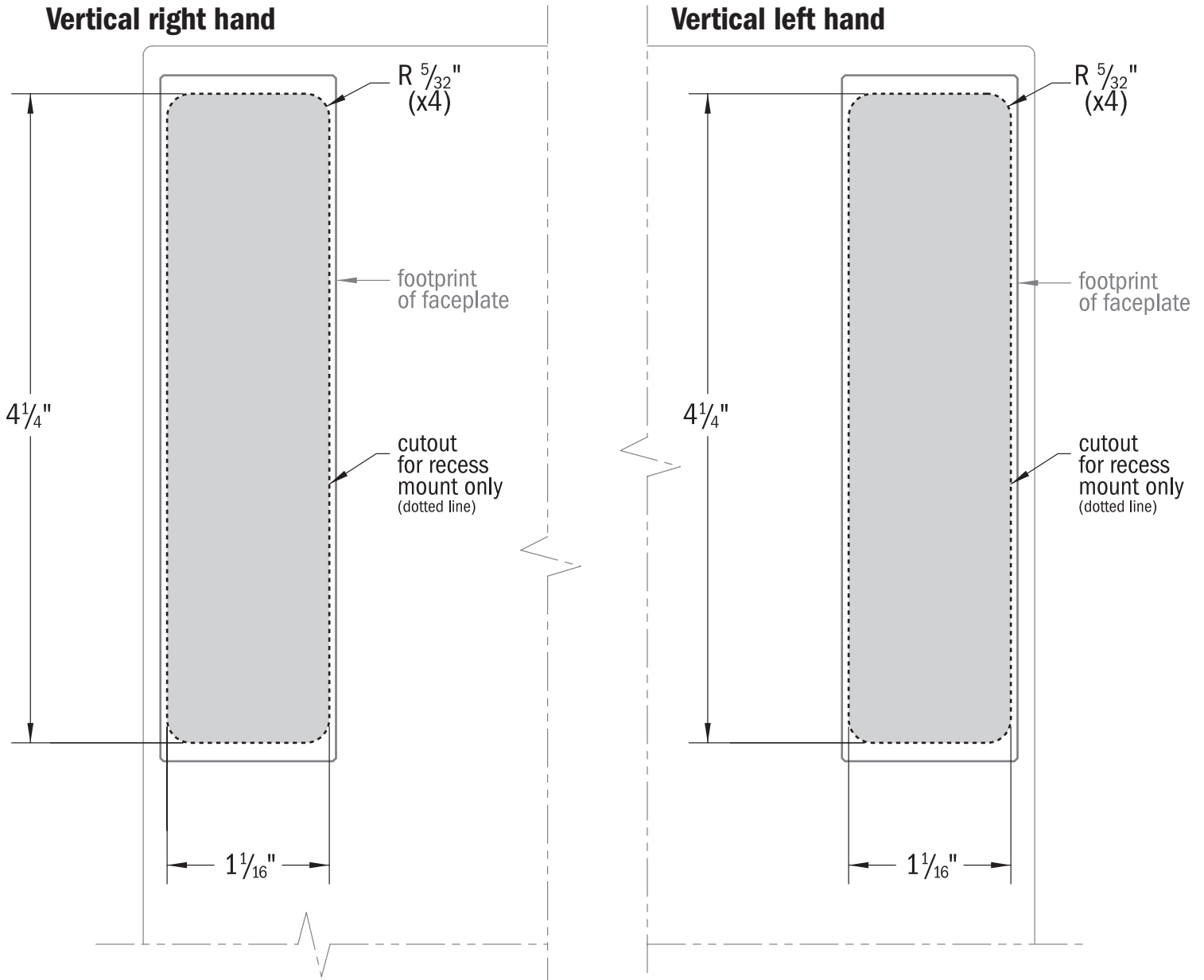


ecoForce – RECESSED mount

No-battery push button cabinet lock



Installation templates – vertical right hand & vertical left hand

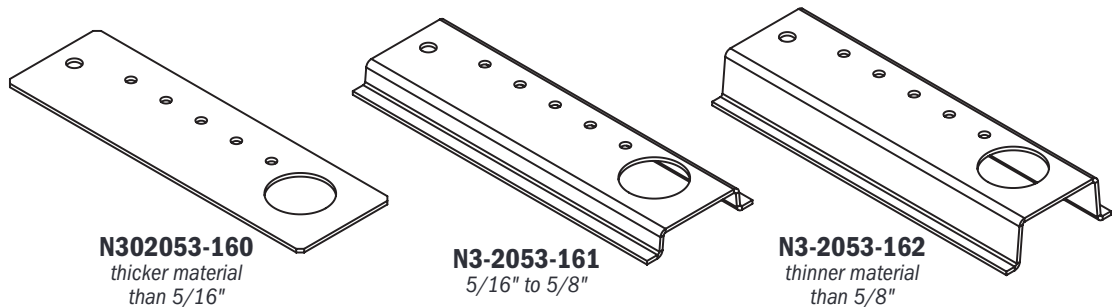


1"

WARNING: Print this page and measure the line above. It is **ONE INCH LONG**. If it measures less than or more than one inch, the template measurements also need to be scaled accordingly.

FAILURE TO DO SO COULD RESULT IN MISDRILLED HOLES.

Recessed mount requires mounting brackets, made for specific material thicknesses.

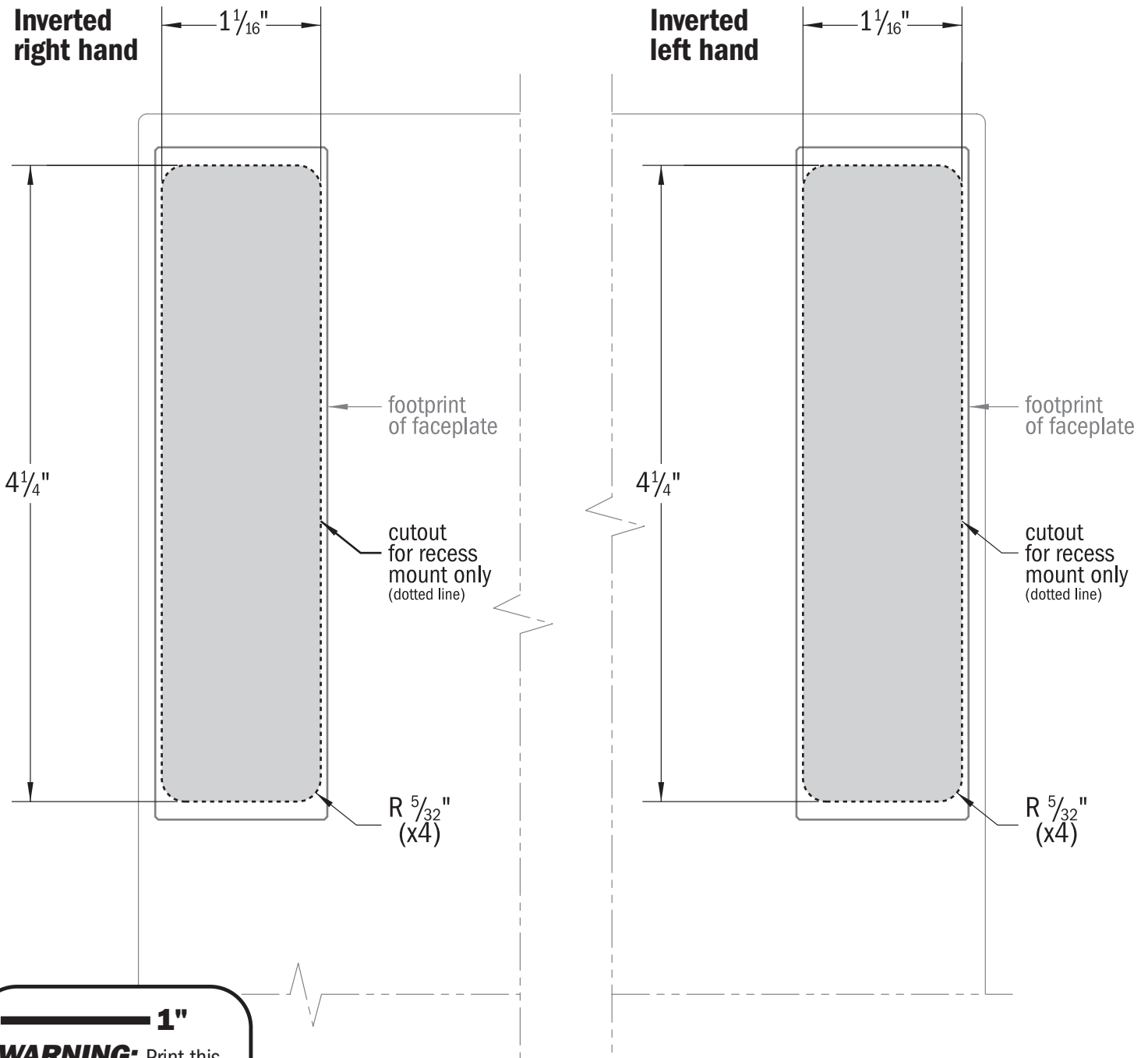


ecoForce – RECESSED mount

No-battery push button cabinet lock



Installation templates – inverted right hand & inverted left hand



1"

WARNING: Print this page and measure the line above. It is **ONE INCH LONG**. If it measures less than or more than one inch, the template measurements also need to be scaled accordingly.

FAILURE TO DO SO COULD RESULT IN MISDRILLED HOLES.



Part #: X756162536K0000B

Copyright 2019 © CompX Security Products / 864.297.6655 / compx.com / PO Box 200, Mauldin, SC 29662
Any companies and/or products referred to herein are marks or registered trademarks of their respective companies, owners and/or mark holders.